

IS22C020

16 to 20 SEC INSTANT VOICE ROM

OCTOBER 1998

FEATURES

- Voice length at:
 - 8 KHz sampling is 16 seconds
 - 6 KHz sampling is 20 seconds
- Silence compression saves memory
- Four trigger pins, S1 to S4 for eight sections
- SBT pin play-all or sequential play-all
- 15 ms debounce suitable for CDs
- IRP interrupt pin stops playback at once
- STP stop pulse generated at playback end
- BUSY signal for CPU control
- Two LEDs flash at 3 Hz
- 2.4V to 6V single power supply operation
- Low standby current (<5 μ A at 3V)
- Auto power-down
- Built-in oscillator, D/A converter, EPROM
- ADPCM data compression
- Optional pop noise elimination function
- COUT pin drives speaker with a transistor
- Development tool support
- VOUT1 and VOUT2 drives buzzer directly
- Sampling rate determined by an external resistor
- Holdable and unholdable triggering option
- Industrial temperature available

GENERAL DESCRIPTION

The IS22C020 is a high-quality voice synthesizer with capacity from 16 to 20 seconds. A proprietary ADPCM algorithm is used. The audio message is stored in a 512K bit on-chip one-time programmable memory.

The IS22C020 eliminates the need for complicated circuitry in voice playback but still achieves high voice quality. Sounds such as human speech, animal sounds, musical sounds, and even special effects can be synthesized. Devices can be cascaded to achieve longer voice duration. Two devices can be configured in parallel in order to achieve signal mixing without an external mixer so speech can be mixed with background music each from one of two different chips.

The instant programming nature of the IS22C020 gives a very short turn around time free of NRE charges usually required with conventional voice ROMs. Users now can add a voice synthesis function as an additional feature to their products even when production volume is small. As a result, initial investment is minimal and the risk in the product development phase is reduced.

The IS22C020 provides wide voltage operating range from 2.4V to 6.0V. A pair of PWM output pins, VOUT1 and VOUT2, provide direct drive to a buzzer. Voice quality is comparable to a speaker output and power consumption is much lower. This facilitates button battery applications such as greeting cards.

A current output pin, COUT, enables the device to drive a speaker through a low cost NPN transistor. No complex filtering or amplifier circuit is needed. An automatic ramp-up and ramp-down function eliminates undesired noise at the beginning and end of playback.

Up to eight sections are available and accessible through the S1 to S4 trigger pins. The SBT trigger pin can be programmed to playback all eight sections or sequentially from section 1 to 8. An interrupt pin (IRP), stop pulse (STP) or BUSY signals provide handshaking with μ P or other IS22C020 devices. All trigger pins give 15 ms debounce time and are ideal for CDS applications. Two LED drivers are available, flashing on and off approximately at 3 Hz. The internal voltage compensated oscillator requires only one external resistor. Different sampling frequencies are determined by the external oscillator resistor value.

ISSI reserves the right to make changes to its products at any time without notice in order to improve design and supply the best possible product. We assume no responsibility for any errors which may appear in this publication. © Copyright 1998, Integrated Silicon Solution, Inc.

Programmable Options

The IS22C020 provides programmable user specified control functions. They include:

- Non-sequence or Sequence play-all
- Unholdable or Holdable trigger
- STOP or BUSY signal selection
- Automatic ramp-up and ramp-down or no ramp-up or ramp-down

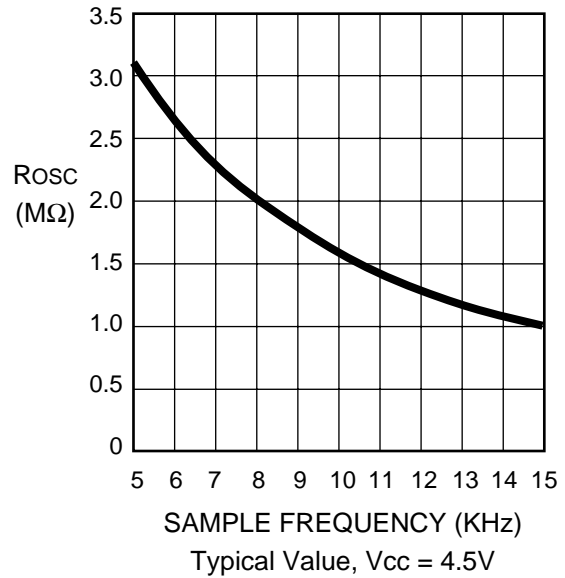
Silence Compression

If a particular sound sequence includes periods of silence, the IS22C020 will automatically compress the silence to save memory space. This compression will not affect playback of the sound sequence.

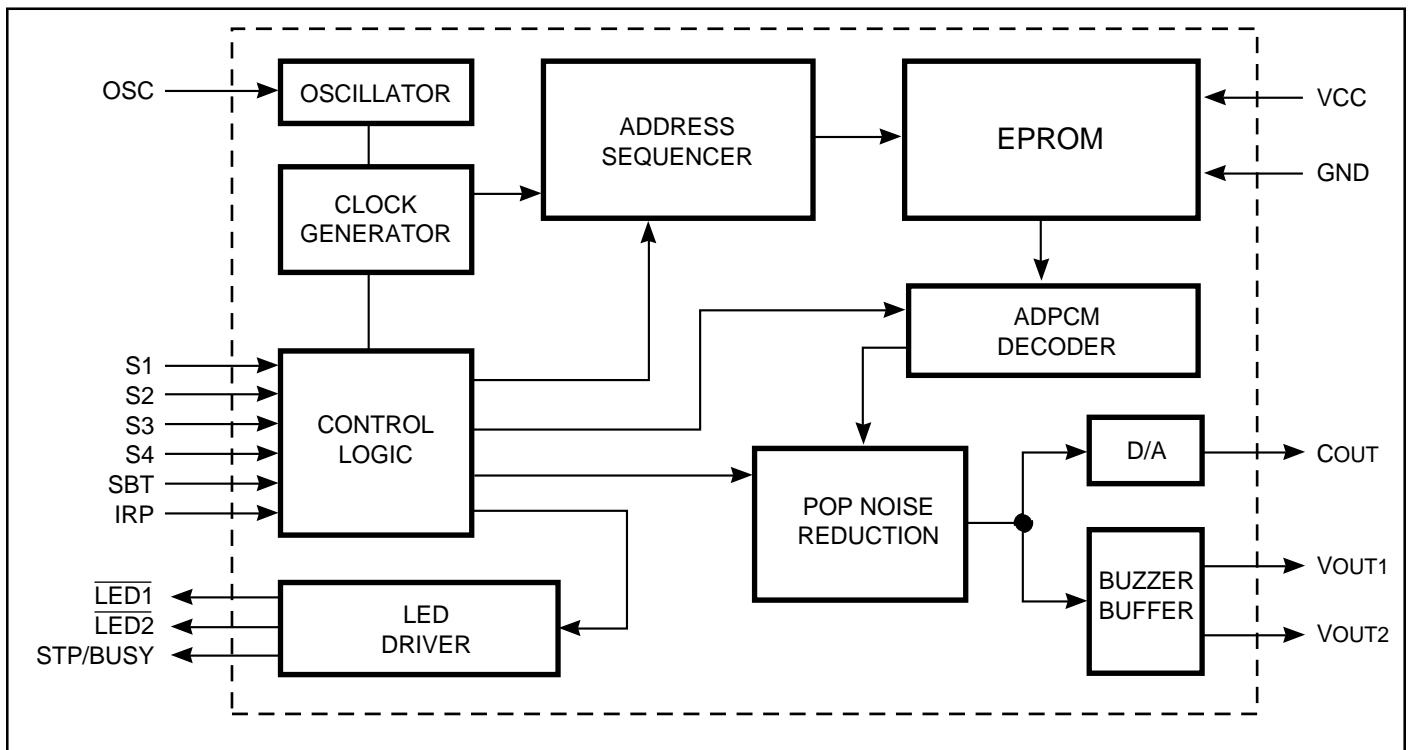
SEGMENT DECODE

	1	2	3	4	5	6	7	8
S1	H	L	L	L	H	L	L	H
S2	L	H	L	L	H	H	L	L
S3	L	L	H	L	L	H	H	L
S4	L	L	L	H	L	L	H	H

SAMPLE FREQUENCY

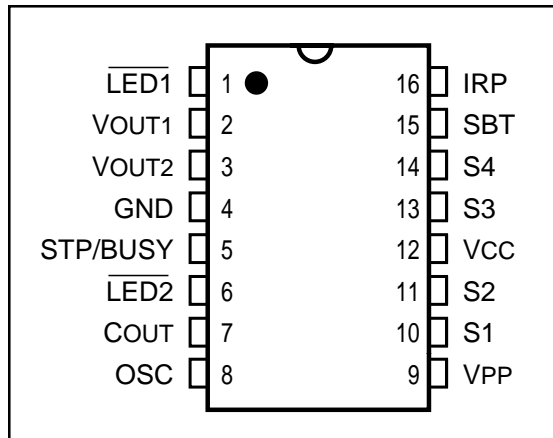


BLOCK DIAGRAM



PIN CONFIGURATIONS

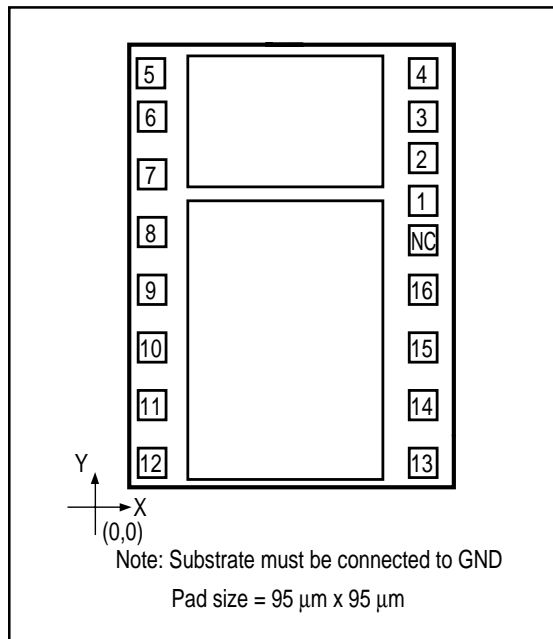
16-Pin DIP and SOP



PIN DESCRIPTIONS

$\overline{\text{LED1}}$	Drives First LED Flash at 3 Hz (Active LOW)
VOUT1	PWM Audio Signal Output for Buzzer
STP/BUSY	Generate Busy Signal or 30 ms Pulse after Voice Playback
GND	Ground
VOUT2	Compliment PWM Audio Signal Output for Buzzer
$\overline{\text{LED2}}$	Drives Second LED Flash at 3 Hz (Active LOW)
COUT	Current Output from Internal DAC for Speaker Playback
OSC	Oscillator Resistor Pin to Control Sampling Frequency
VPP	Program Power Supply, No Connect during Playback
S1-S4	Input Switches, Internal Pull LOW, Active HIGH
SBT	One Key or Sequential Trigger, Internal Pull LOW, Active HIGH
IRP	Interrupt to Stop Playback, Internal Pull LOW, Active HIGH
Vcc	Power Supply Voltage

BONDING DIAGRAM



Note: Programming requires connection to pins 4, 5, 6, 8, 9, 12, 15, and 16.

BONDING PARAMETERS

Pin	Name	X	Y
1	$\overline{\text{LED1}}$	3288.75	1200
2	VOUT1	3288.75	1459
3	VOUT2	3288.75	1687
4	GND	3288.75	1894
5	STP	86.25	1875
6	$\overline{\text{LED2}}$	86.25	1635
7	COUT	86.25	1440
8	OSC	86.25	1027
9	VPP	86.25	742
10	S1	86.25	465
11	S2	86.25	270
12	Vcc	86.25	82
13	S3	3288.75	88
14	S4	3288.75	296
15	SBT	3288.75	502
16	IRP	3288.75	742

ABSOLUTE MAXIMUM RATINGS⁽¹⁾

Symbol	Parameter	Value	Unit
V _{TERM}	Terminal Voltage with Respect to GND	-0.5 to +7.0	V
T _{BIAS}	Temperature Under Bias	-40 to +85	°C
T _{STG}	Storage Temperature	-55 to +125	°C

Notes:

1. Stress greater than those listed under ABSOLUTE MAXIMUM RATINGS may cause permanent damage to the device. This is a stress rating only and functional operation of the device at these or any other conditions above those indicated in the operational sections of this specification is not implied. Exposure to absolute maximum rating conditions for extended periods may affect reliability.

DC CHARACTERISTICS

Symbol	Parameter Description	Test Conditions	Min.	Typ.	Max.	Unit
V _{CC}	Operating Voltage		2.4	3.0	6.0	V
V _{IH}	Input HIGH Voltage	V _{CC} = 3.0V	2.5	3.0	3.5	V
V _{IL}	Input LOW Voltage	V _{CC} = 2.0V	-0.3	0	0.3	V
I _{OH}	V _{OUT} HIGH Operating Current	V _{CC} = 3.0V, V _{OUT} = 3.0V	—	-12	—	mA
I _{OL}	V _{OUT} LOW Operating Current	V _{CC} = 3.0V, V _{OUT} = 0V	—	12	—	mA
I _{CO}	C _{OUT} Operating Current	V _{CC} = 3.0V, V _{COUT} = 0.7V	—	-2	—	mA
I _{STPH}	STP HIGH Operating Current	V _{CC} = 3.0V, V _{STP} = 3.0V	—	-5	—	mA
I _{STPL}	STP LOW Operating Current	V _{CC} = 3.0V, V _{STP} = 0V	—	5	—	mA
I _{LED}	LED Output Current	V _{CC} = 2.2V – 6.0V	6	8	10	mA
I _{SB}	Standby Current	V _{CC} = 3.0V, I/O Open	—	1	5	μA
I _{OP}	Operating Current	V _{CC} = 3.0V, I/O Open	—	—	100	μA
ΔF/F	Frequency Stability	1 – F _{osc} (3.5V)/F _{osc} (3.0V)	—	—	5	%

AC SWITCHING CHARACTERISTICS

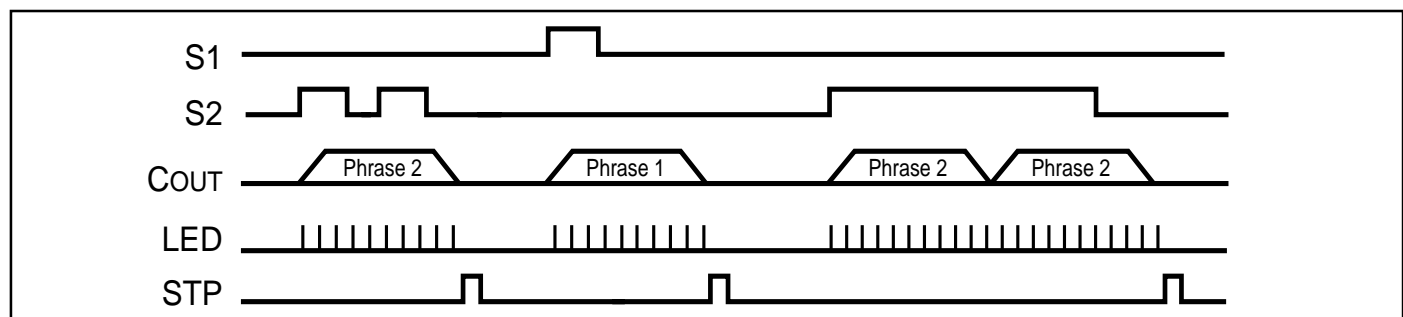
Symbol	Parameter Description	Typ.	Unit
t _{DD}	Debounce Delay	15	ms
t _{ST}	Stop Pulse Width	30	ms

OPERATING RANGE

Range	Ambient Temp.	V _{CC}
Commercial	0°C to +70°C	2.4V to 6.0V
Industrial	-40°C to +85°C	2.4V to 6.0V

SWITCHING WAVEFORMS**S1 to S4 SEGMENT TRIGGERS. PULSE TRIGGERED.**

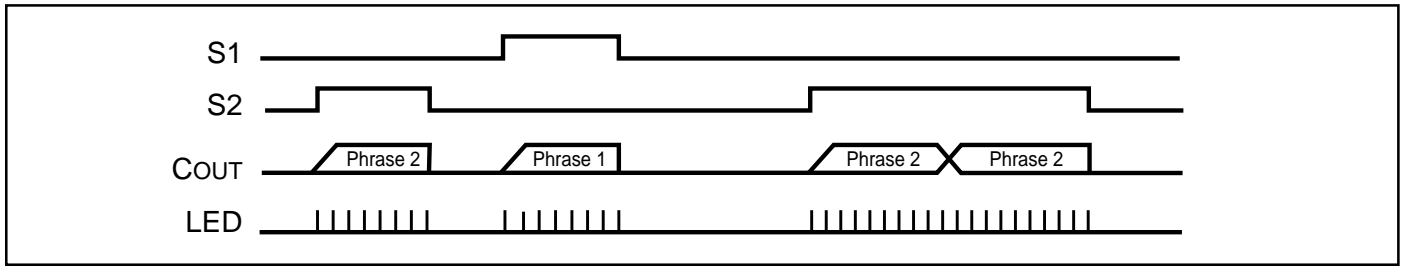
- a. Trigger is shorter than a phrase output b. Trigger is longer than a phrase output



LEVEL TRIGGERED

a. Trigger is shorter than a phrase output

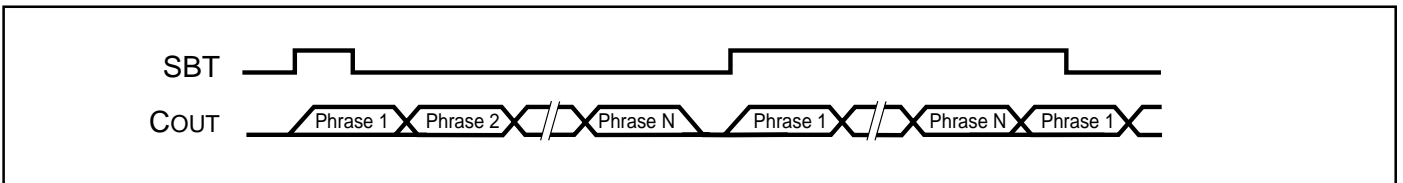
b. Trigger is longer than a phrase output



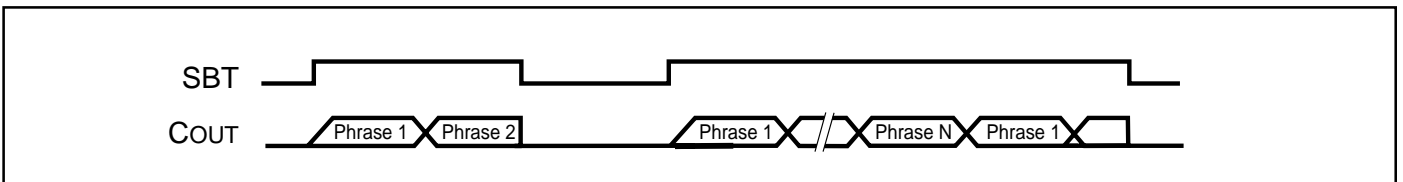
SWITCHING WAVEFORMS

SINGLE BUTTON TRIGGER, NONSEQUENTIAL (SBT)

a. Pulse Triggered

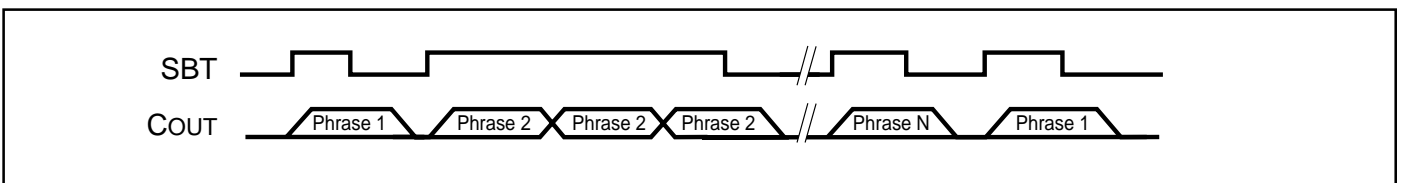


b. Level Triggered

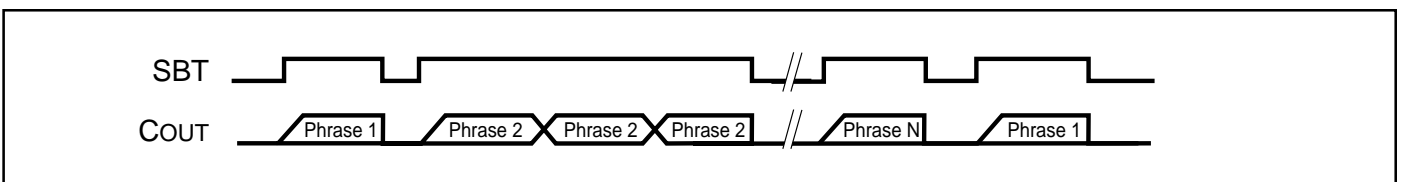


SINGLE BUTTON TRIGGER, SEQUENTIAL (SBT)

a. Pulse Triggered

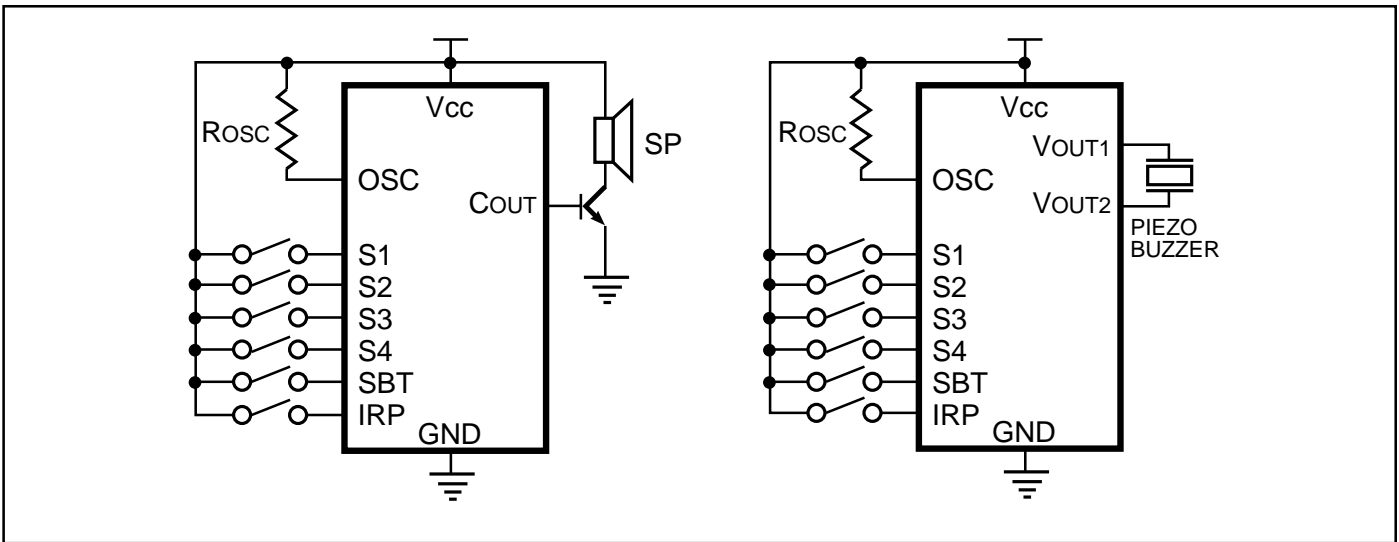


b. Level Triggered

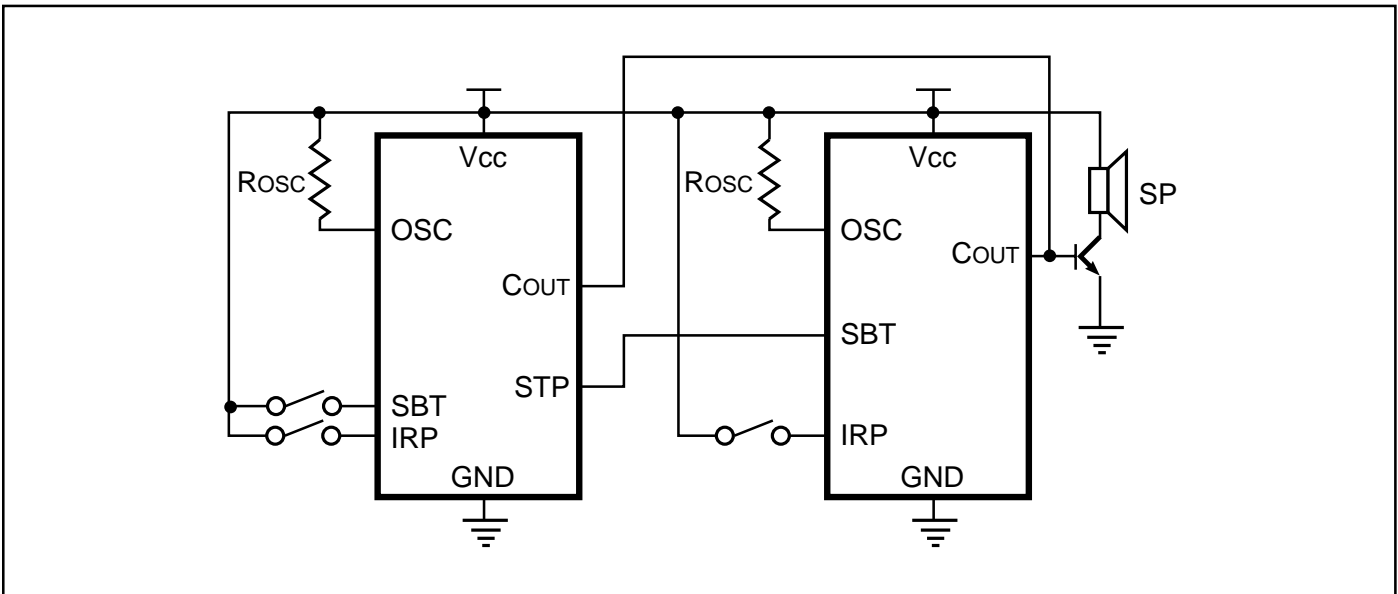


APPLICATION CIRCUITS

TYPICAL APPLICATION

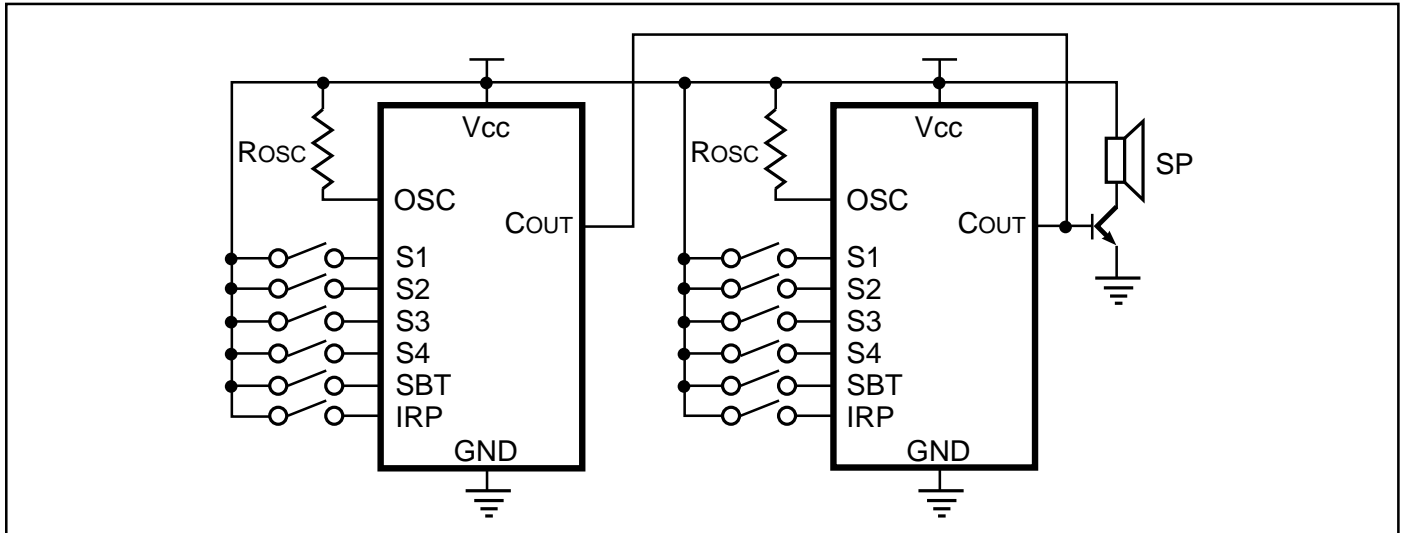


CASCADE APPLICATION

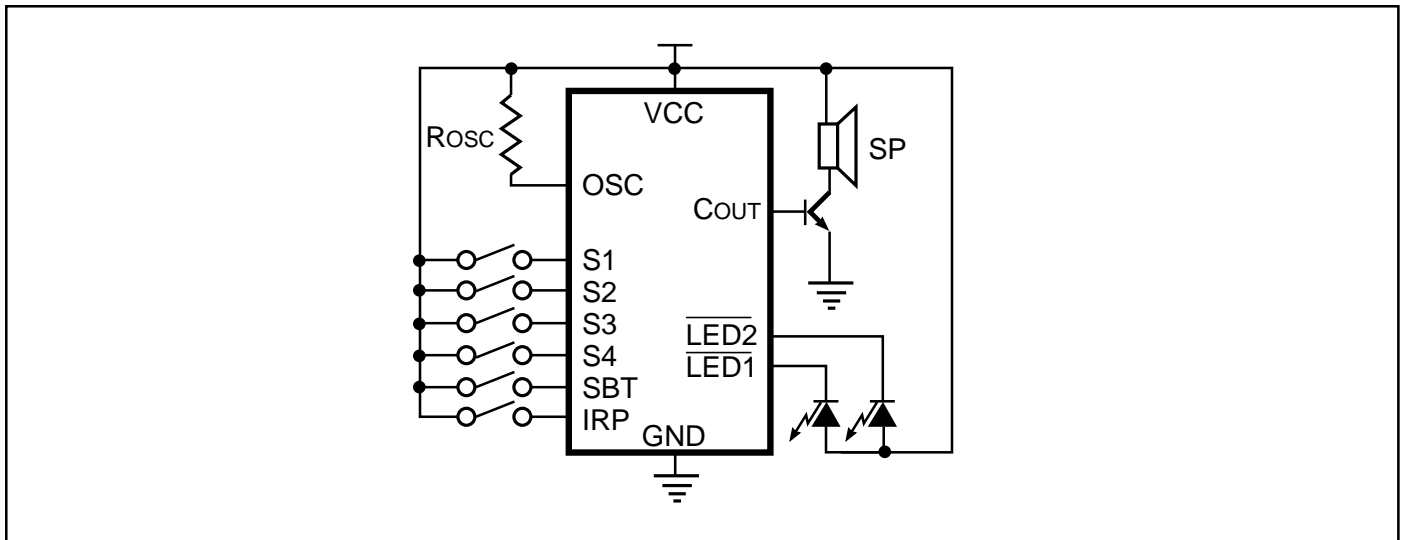


APPLICATION CIRCUITS

PARALLEL APPLICATION



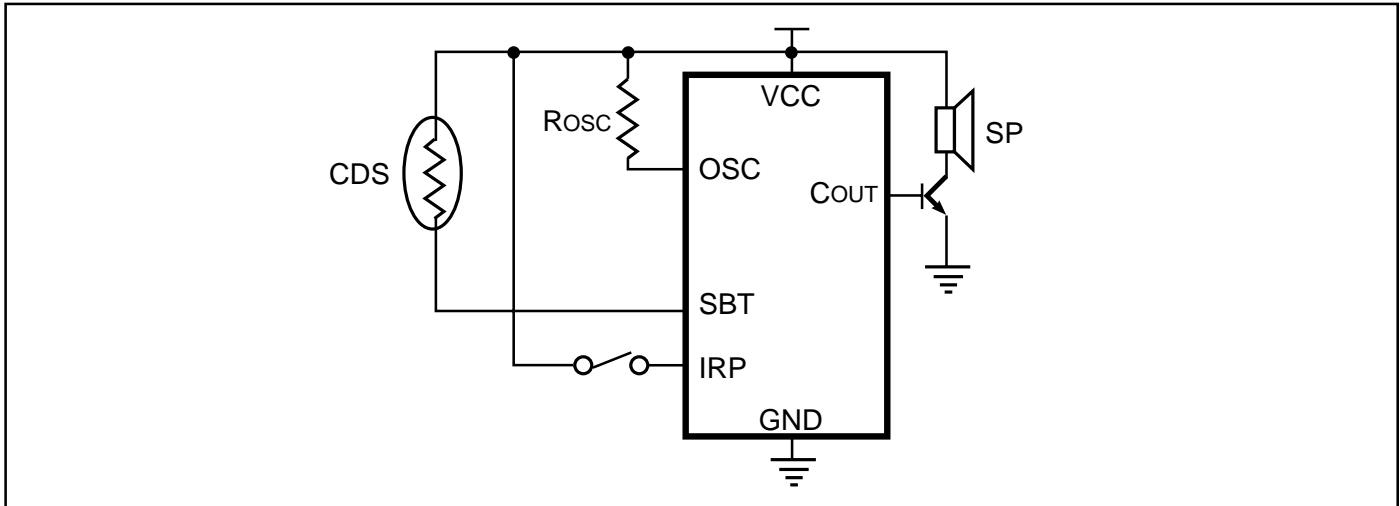
LED APPLICATION

**Notes:****The following are typical values:**

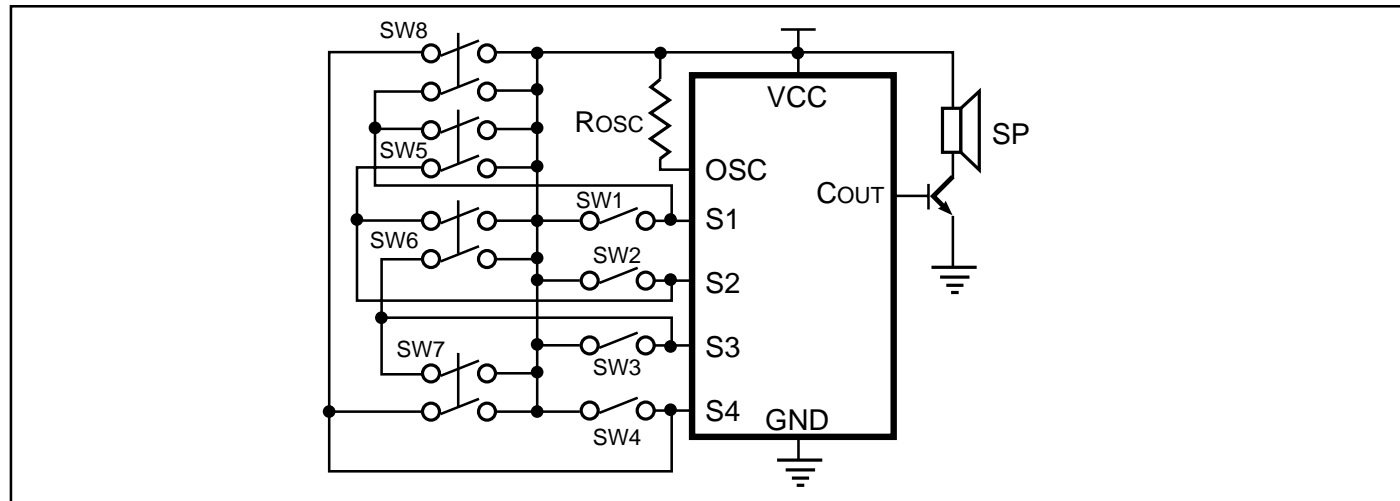
1. $R_{osc} = 2 \text{ M}\Omega$.
2. β of N (NPN transistor) > 130 .
3. SP = 8Ω . 1/4W.
4. Piezo buzzer resonant frequency = 1 KHz.

APPLICATION CIRCUITS

CDS APPLICATION



8-SEGMENT TRIGGER APPLICATION

**Notes:****The following are typical values:**

1. $R_{osc} = 2 \text{ M}\Omega$.
2. β of N (NPN transistor) > 130 .
3. $SP = 8\Omega, 1/4W$.
4. Piezo buzzer resonant frequency = 1 KHz.

ORDERING INFORMATION**Commerical Range: 0°C to +70°C**

Order Part No.	Package
IS22C020X	Unpackaged
IS22C020P	300-mil Plastic DIP
IS22C020S	300-mil Plastic SOP

Industrial Range: -40°C to +85°C

Order Part No.	Package
IS22C020XI	Unpackaged
IS22C020PI	300-mil Plastic DIP
IS22C020SI	300-mil Plastic SOP

NOTICE

Integrated Silicon Solution, Inc., reserves the right to make changes to the products contained in this publication in order to improve design, performance or reliability. Integrated Silicon Solution, Inc. assumes no responsibility for the use of any circuits described herein, conveys no license under any patent or other right, and makes no representation that the circuits are free of patent infringement. Charts and schedules contained herein reflect representative operating parameters, and may vary depending upon a user's specific application. While the information in this publication has been carefully checked, Integrated Silicon Solution, Inc. shall not be liable for any damages arising as a result of any error or omission.

Integrated Silicon Solution, Inc. does not recommend the use of any of its products in life support applications where the failure or malfunction of the product can reasonably be expected to cause failure of the life support system or to significantly affect its safety or effectiveness. Products are not authorized for use in such applications unless Integrated Silicon Solution, Inc. receives written assurances, to its satisfaction, that: (a) the risk of injury or damage has been minimized; (b) the user assumes all such risks; and (c) potential liability of Integrated Silicon Solution, Inc. is adequately protected under the circumstances.

Copyright 1998 Integrated Silicon Solution, Inc.

Reproduction in whole or in part, without the prior written consent of Integrated Silicon Solution, Inc., is prohibited.