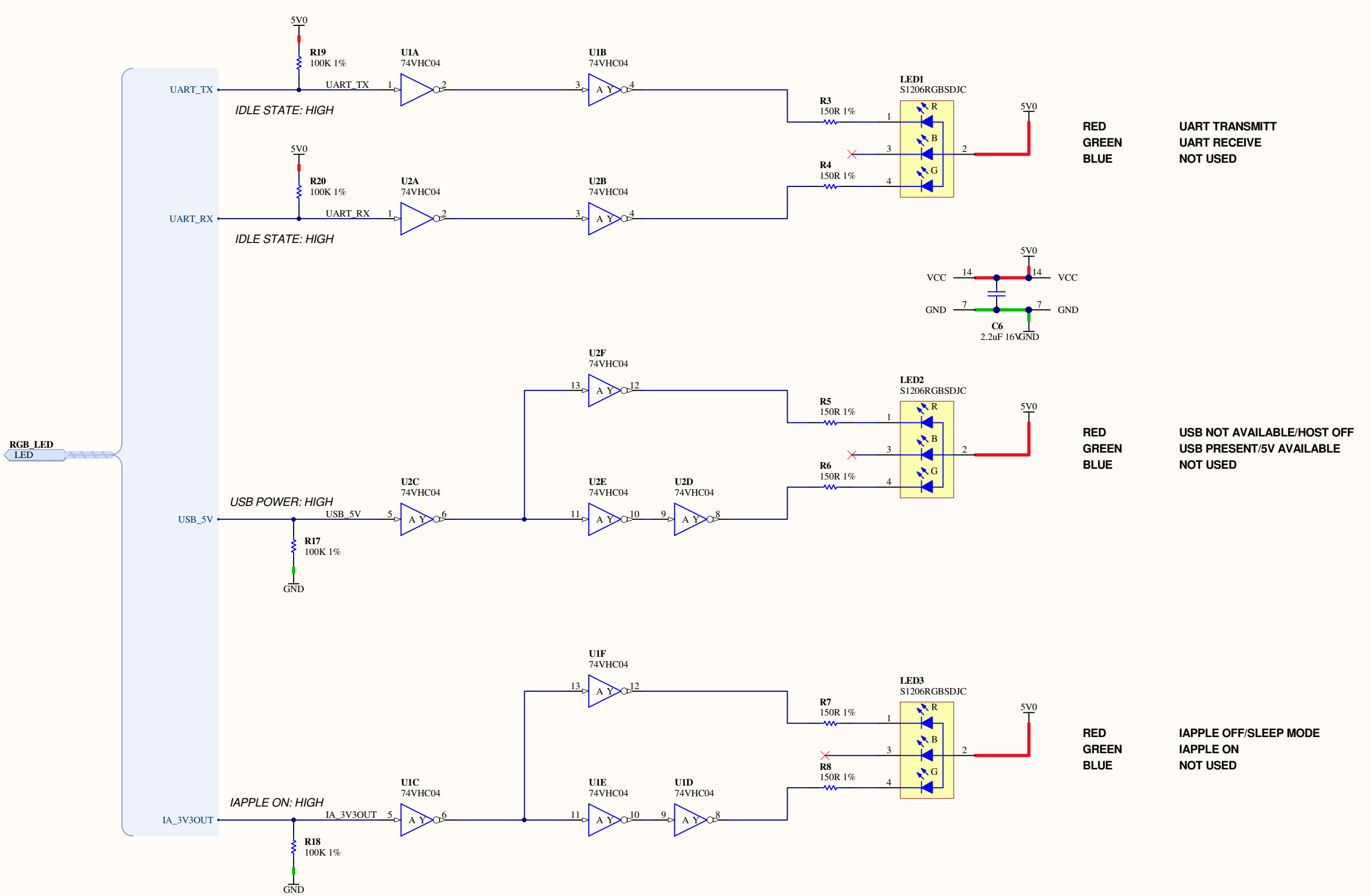


Title		
Size	Number	Revision
A3		
Date:	9/23/2011	Sheet of
File:	H:\hardware design 1 jun 11\..SC01.SchDoc	
		Drawn By:



1

2

3

4

A

A

B

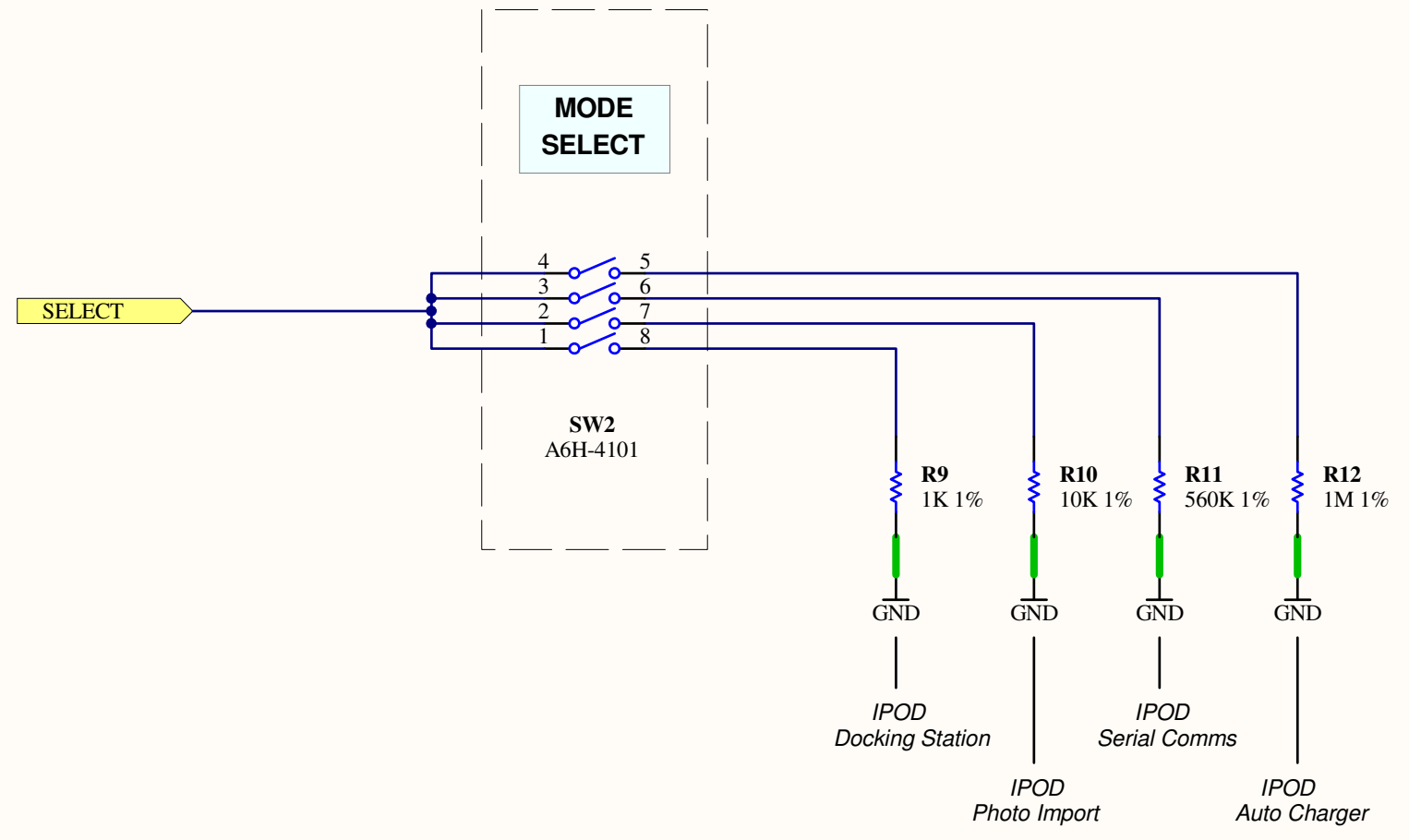
B

C

C

D

D



Sheet Title Visual Indicators		Project Organization	
Project Title ProjectTitle		ProjectAddress1	
Size: A4		ProjectAddress2	
Assy: ProjectAssyNum		ProjectAddress3	
Date: 9/23/2011		ProjectAddress4	
Time: 11:10:07 PM		Revision: ProjectRevision	
File: SW_6WAY.SCHDOC		Sheet 3 of 7	

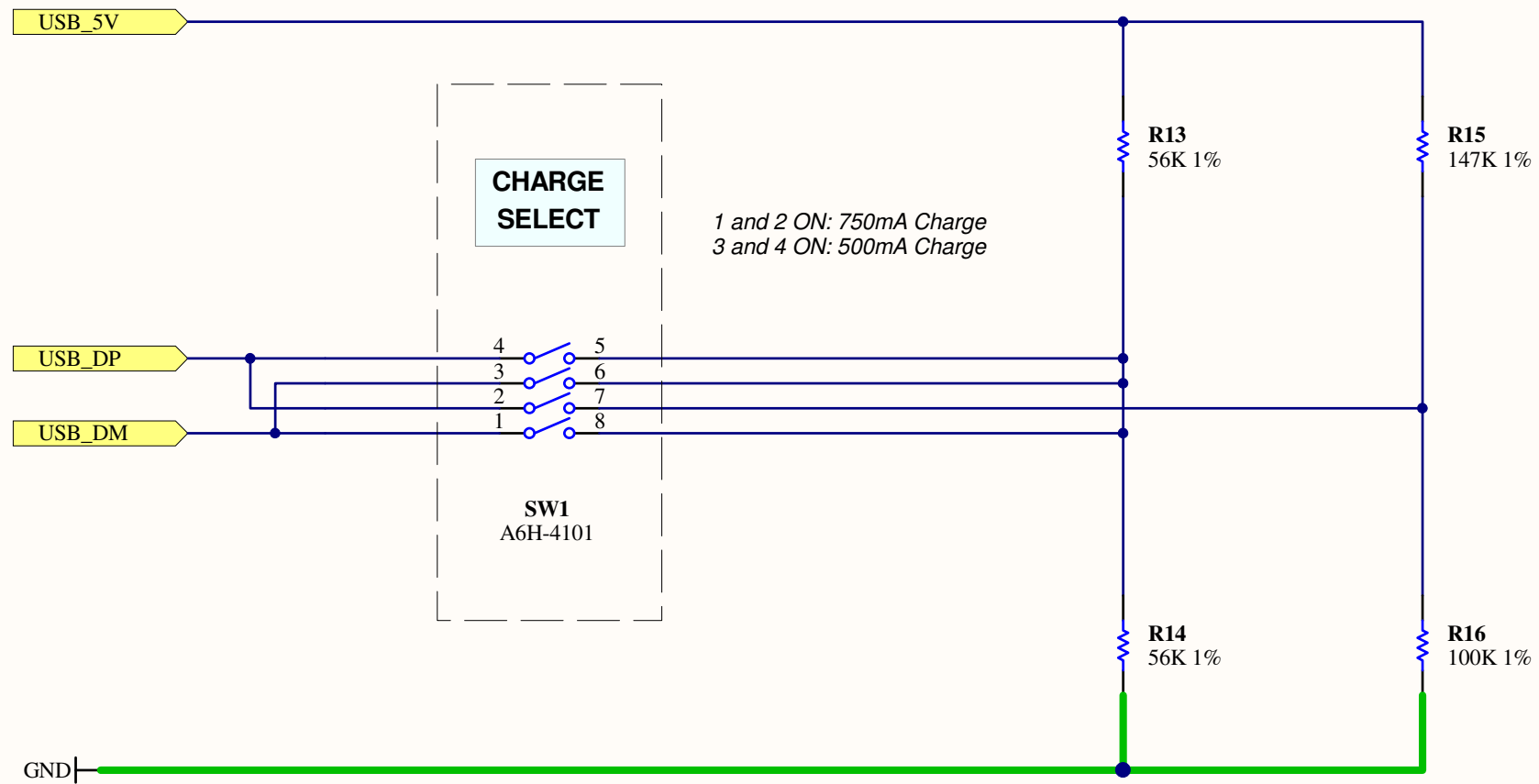


1

2

3

4



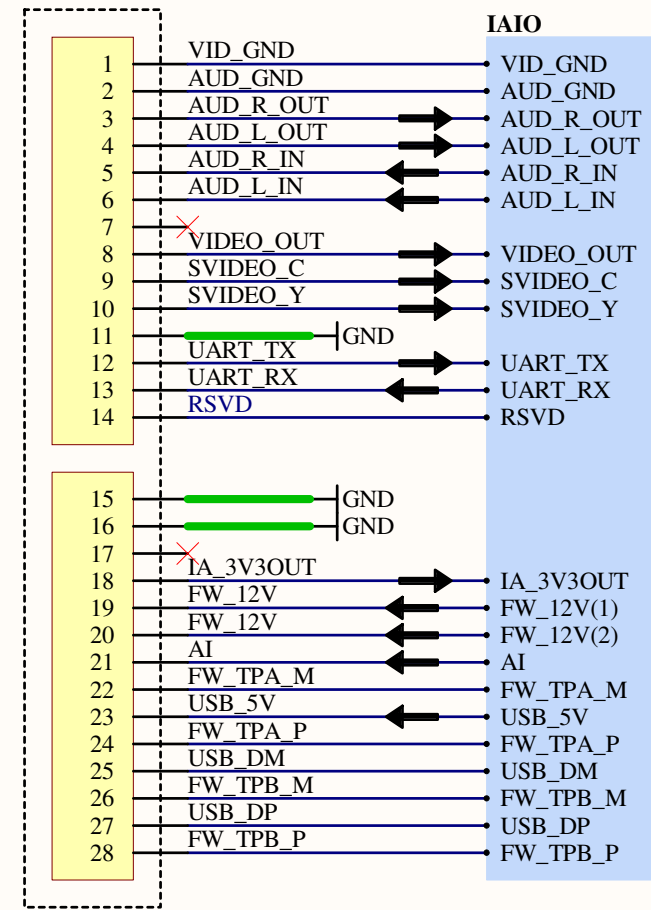
Sheet Title Visual Indicators		<i>ProjectOrganization</i>	
Project Title ProjectTitle		<i>ProjectAddress1</i>	
Size: A4	Assy: ProjectAssyNum	Revision: ProjectRevision	<i>ProjectAddress2</i>
Date: 9/23/2011	Time: 11:10:07 PM	Sheet 4 of 7	<i>ProjectAddress3</i>
File: SW_4WAY.SCHDOC		<i>ProjectAddress4</i>	



IAPPLE IO (1-14)

IAPPLE IO (15-28)

CN1
MHDR1X14



CN2
MHDR1X14

Title		
Size	Number	Revision
A4		
Date:	9/23/2011	Sheet of
File:	H:\hardware design 1 jun 11\..IA_INTERFACES\DOC	

1

2

3

4

A

A

B

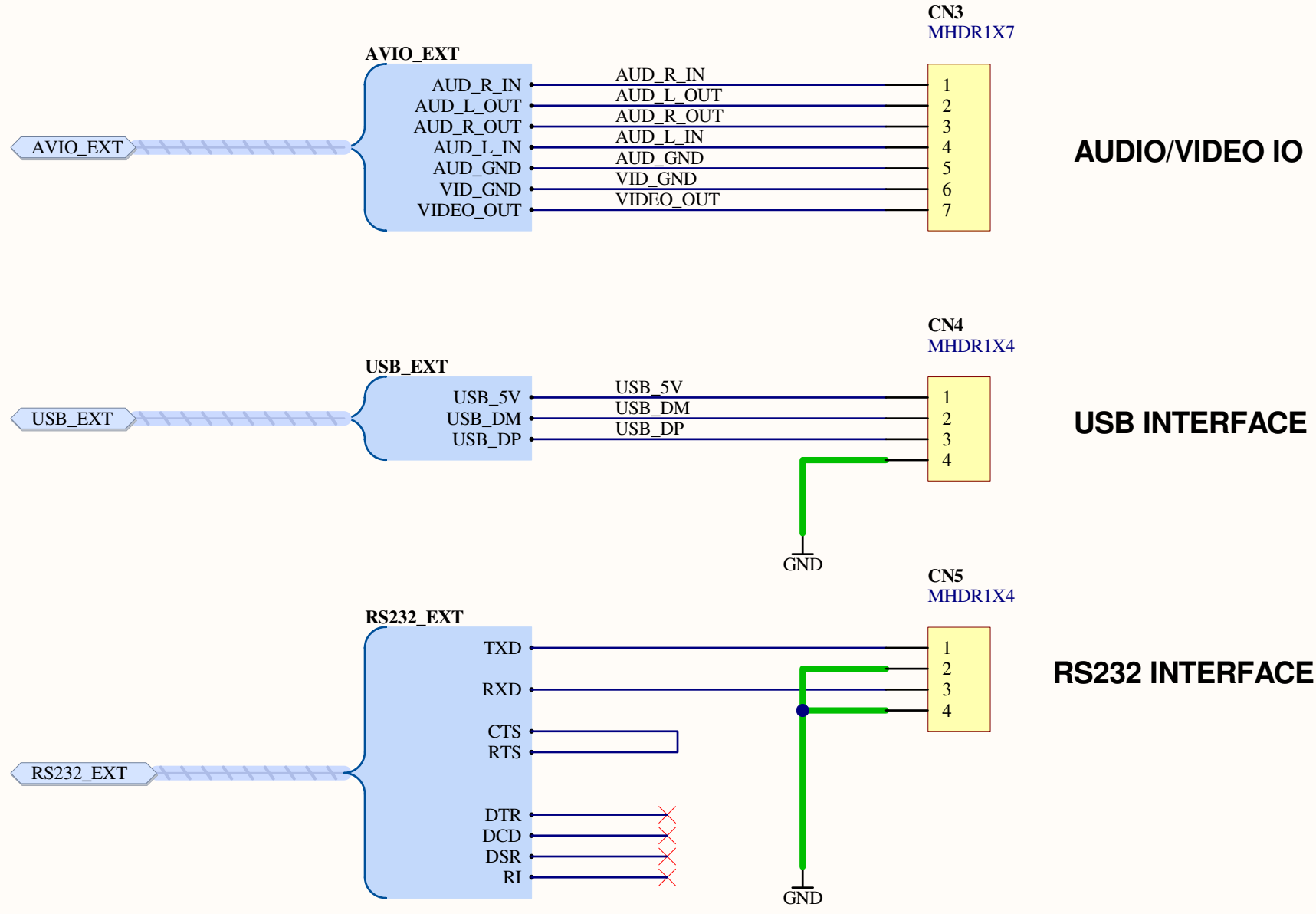
B

C

C

D

D



AUDIO/VIDEO IO

USB INTERFACE

RS232 INTERFACE

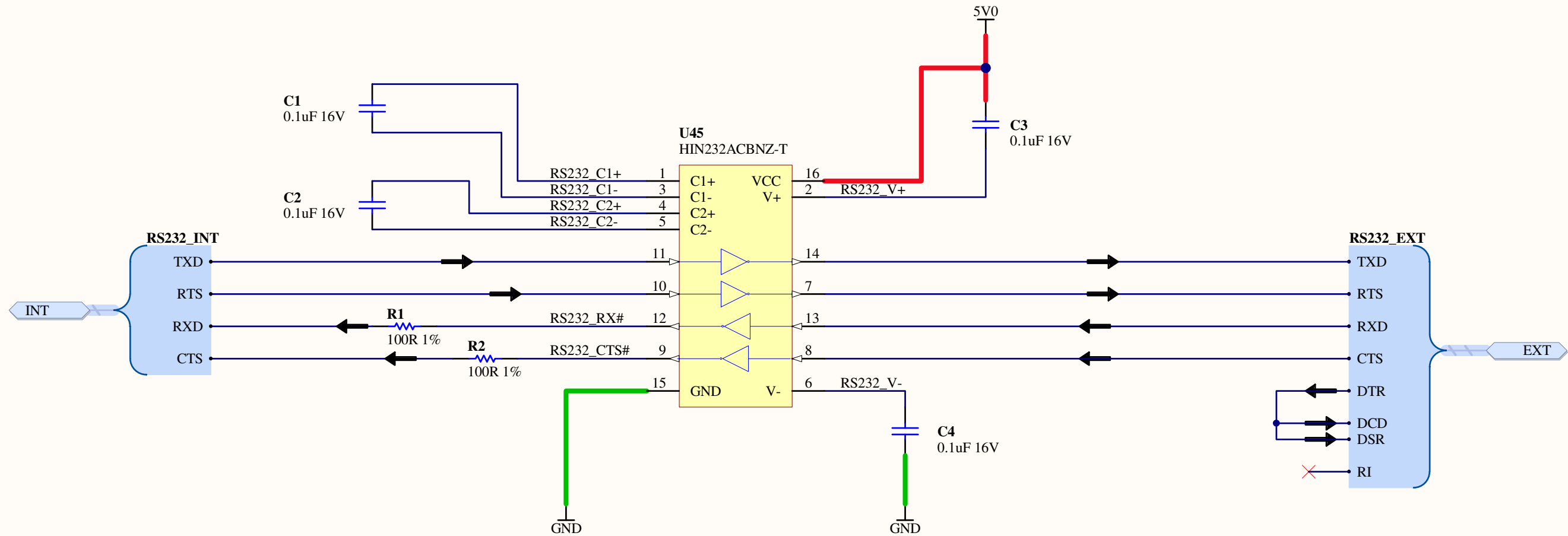
Title		
Size	Number	Revision
A4		
Date:	9/23/2011	Sheet of
File:	H:\hardware design 1 jun 11\..IO_INTERFACE.SCH DOC	

1

2

3

4



Sheet Title RS232 Communication IC		Project Organization	
Project Title ProjectTitle		ProjectAddress1	
Size: A4	Assy: ProjectAssyNum	Revision: ProjectRevision	ProjectAddress2
Date: 9/23/2011	Time: 11:10:07 PM	Sheet 30 of 78	ProjectAddress3
File: RS232_HIN232.SchDoc		ProjectAddress4	

